

# Base Equipment Package

Single Speed Pump 300 (HSSP300)

Cartridge Filter 100 (HCF100)

Salt and Mineral Chlorinator 15 (HSMCI5)



Henden Equipment Package



# Single Speed Pump 200, 300 & 420

A reliable, universal pool pump that's perfect for all residential pool types up to 90,000 litres: in-ground, above ground, large swim spas, plunge pools and solar heated pools.

- > **See through lid for visibility and easy maintenance**
- > **Self resetting thermal overload protection in the event of the pump overheating**
- > **Corrosion resistant Noryl impeller for longer lasting trouble-free performance**
- > **316 stainless steel motor shaft**
- > **High performance silicon carbide Viton mechanical seal for long life in pool water'**
- > **40/50mm ABS quick coupling barrel unions for easy connection and installation**

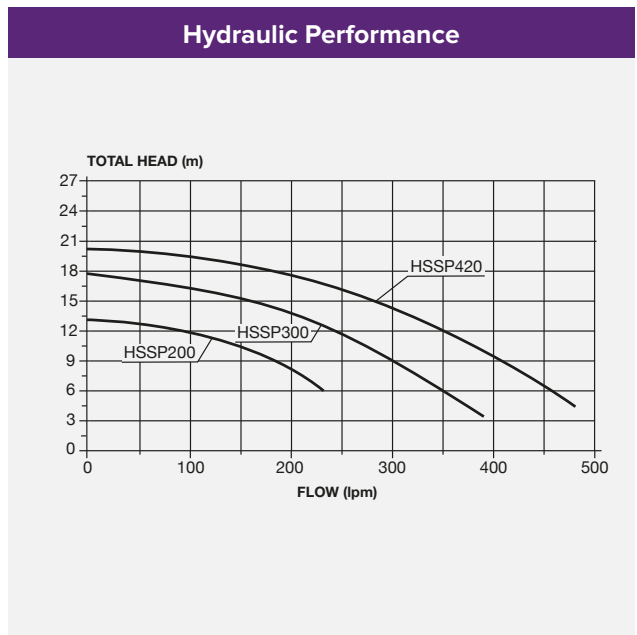


## Features

- > **Durable Exterior**  
Constructed of strong corrosion and UV resistant materials for long and reliable working life
- > **High Performance Motor**  
Totally enclosed to protect against the elements, with power reserves for extended operating life
- > **Double Insulated to Water Circuit**  
Provided with an Equipotential Bonding Point for AS/NZ 3000 wiring standards
- > Fully serviceable, allowing for easy maintenance and repair
- > Drain plugs enable simple water drainage for easy maintenance
- > 3m power lead with 10 amp three pin plug fitted to all models
- > **4 Year Guarantee**  
Peace of mind from an Australian owned, designed and engineered pool pump



Electrical Data			
Model	HSSP200	HSSP300	HSSP420
Voltage (V)	220-240		
Phase	Single		
Supply frequency (Hz)	50		
Run current (A)	3.8	5.8	8.3
Motor input power (W)	75W	1100W	1650W
Motor output power (W / hp)	550W / 0.8 hp	750W / 1 hp	1300W / 1.7 hp
RPM	2900		
Enclosure class (IP)	55		
Insulation class	F		
Approval No.	TUV02147EA		

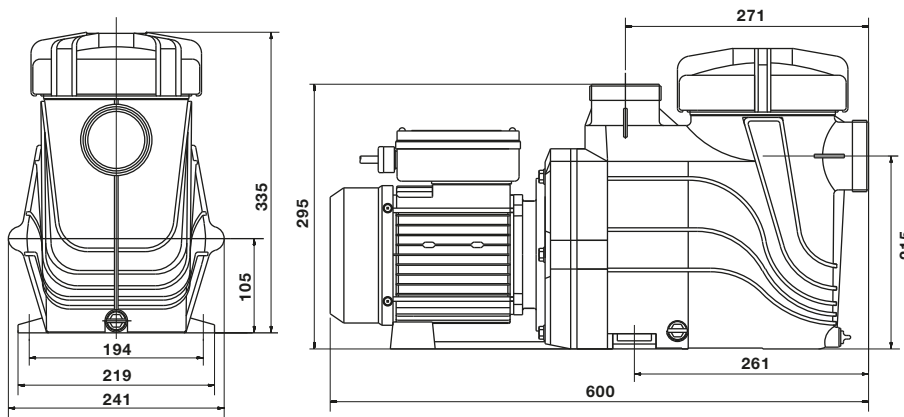


### Operating Limits

Maximum water temperature	40°C
Maximum ambient temperature	50°C
dBa @ 1 metre	61 - (HSSP200) 62 - (HSSP300) 65 - (HSSP420)

### Dimensions (mm)

Model	Mounting Holes Diameter	Inlet PVC	Outlet PVC	Net Weight (kg)
HSSP200	11	40 & 50	40 & 50	13.6
HSSP300				15.5
HSSP420				17.6



# Cartridge Filter

This high performance cartridge filter has been specifically designed for the water-conscious filtration in all salt, mineral salt and fresh water pools. For sparkling pools up to 90,000 litres.

- > **Automatic air bleed to purge trapped air during filtration**
- > **Durable polyurethane end caps reinforced to support pleats and protect the element**
- > **20-50 micron rating filtration for high water quality**
- > **High quality Du Pont polyester mesh for clog free, long life**
- > **Large spaces between pleats for easy cleaning and long filtration cycles**
- > **ABS tank construction is robust, UV resistant and non-corrosive for long life**
- > **ABS barrel unions for simple installation**



## Features

- > The filter lid is retained by a lock ring which enables easy access for element cleaning
- > Low profile design means elements are easier to lift out for cleaning and require less height for installation
- > The element is constructed of Du Pont Reemay which is recognised for its excellent filtration and long life
- > A quality pressure gauge makes it easy to see when element cleaning is required
- > A manual air bleed enables the filter to be de-pressurised before opening for cleaning
- > A choice of two inlet ports enables the inlet plumbing to be installed at either 90° or 180° to the outlet for greater flexibility in installation
- > Less water used, no backwashing needed
- > Perfect for use with energy efficient pool pumps
- > Replacement filter elements available
- > 10 year warranty



### Performance Data & Media Required

Model	Filtration Area (m <sup>2</sup> )	Filtration Area (ft <sup>2</sup> )	Maximum Flow Rate (lpm)	6 Hour Turnover* (litres)	8 Hour Turnover** (litres)
HCF100	9.29	100	400	144,000	192,000
HCF150	13.93	150	450	162,000	216,000

### Operating Limits

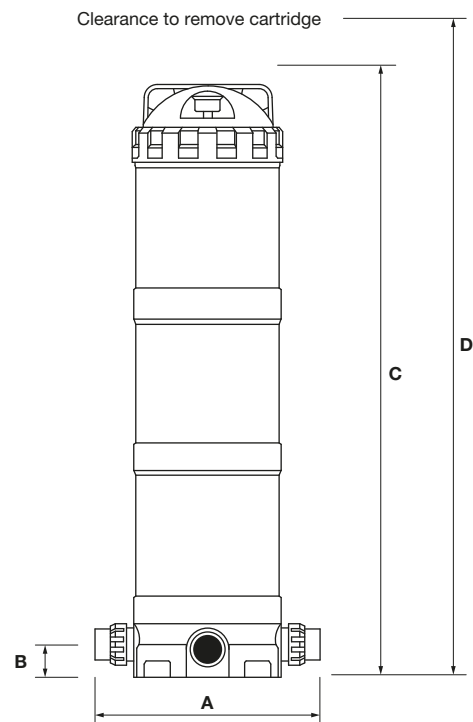
Maximum water temperature	50°C
Maximum operating pressure	280kPa

### Replacement Filter

Model	Replacement Filter P/N
HCF100	Q2312HSP
HCF150	Q2313HSP

### Dimensions (mm)

Model	A	B	C	D	Inlet PVC	Outlet PVC
HCF100	330	60	635	1000	40/50	40/50
HCF150			820	1360		



## Important notes

- \* Figure based on 6 hour turnover @12.5m head.
- \*\* Figure based on 8 hour turnover @12.5m head.



# Salt and Mineral Chlorinator

Sanitise pools with your choice of salt water or mineral water for highly crystal clear water. Ideal for in-ground and above ground residential pools, plunge pools and large swim spas up to 175,000 litres.

- > Full digital LCD display screen for easy operation
- > Strong and durable enclosure made with corrosion resistant, UV stabilised materials
- > One plug cell power connection for quick and simple installation and maintenance
- > High performance reverse polarity electrolytic cell
- > Integrated safety flow switch to protect against gas generation when no flow is detected
- > 40/50mm barrel unions for low maintenance and easy connection



## Features

### Energy Efficient Modes

- > Spa – reduces chlorine output by 80% of the chlorinator’s manual chlorine output setting
- > Cover – reduces chlorine output by 80% of the chlorinator’s manual chlorine output setting **(with added functionality to remotely switch to this mode using an automated pool cover controller)**
- > Boost – sets chlorine output to 100% for 24 hours and overrides the chlorinator’s manual chlorine output setting
- > Winter – reduces cell current output to 85%, the chlorinator’s manual chlorine output setting remains the same
- > Alarms for add salt, low salt and no flow
- > Two independent timers
- > Adjustable chlorine output in 5% increments
- > Extended memory save with battery blackout protection
- > Switchmode power supply to minimise wasted energy
- > Operating Salt Level: 3,000 – 6,000ppm



Sanitiser Output					
Model	Chlorine Gas Production (g/hr 100%)	Calcium Hypochlorite (g/hr 65% equivalent)	Maximum Pool Size (Litres)		
			Cool Climates <25°C	Temperate Climates 25°C to 30°C	Tropical Climates >30°C
HSMC15	15	23	60,000	45,000	30,000
HSMC25	25	38	110,000	80,000	55,000
HSMC35	35	53	160,000	110,000	80,000

Dimensions								
Controller				Cell Housing				
Height (mm)	Width (mm)	Depth (mm)	Mounting holes (mm)	Height (mm)	Width (mm)	Diameter	Inlet	Outlet
320	240	113	164	239	390	119	50	50

Electrical Data All Models	
Voltage (V)	220-240
Phase	1
Supply Frequency (Hz)	50/60
Enclosure Class (IP)	34
Approval No.	GMA-504803-EA

Warranty	
Component	Coverage
Power Supply	4 years
Electrolytic Cell	3 years

## Important notes

In 'hard water' applications (above 275ppm), reverse polarity systems will require regular (monthly) inspection and manual cleaning.

If using mineral salts in areas with hard water, reverse polarity systems may require occasional manual cleaning. Mineral salts can form scale on the cell that isn't removed through the polarity reversal process, therefore more frequent manual cleaning may be required. In some cases this scale is soft enough to remove with a strong jet of water if acid cleaning proves ineffective.

The appropriate chlorinator size for your pool is dependent on the local climate and the bather load of the pool. Please note that chlorinator cell life can be increased with shorter running times during winter and lower output settings. Henden recommends that a chlorinator is run for between 6-8 hours a day during summer, and between 2-4 hours during winter.



Power supply warranty