

Richmond Valley Council

Specifications for
Approved Headstones, Plaques & Fittings
Casino, Coraki & Evans Head
Lawn Cemeteries
Memorial Gardens and Niche Walls

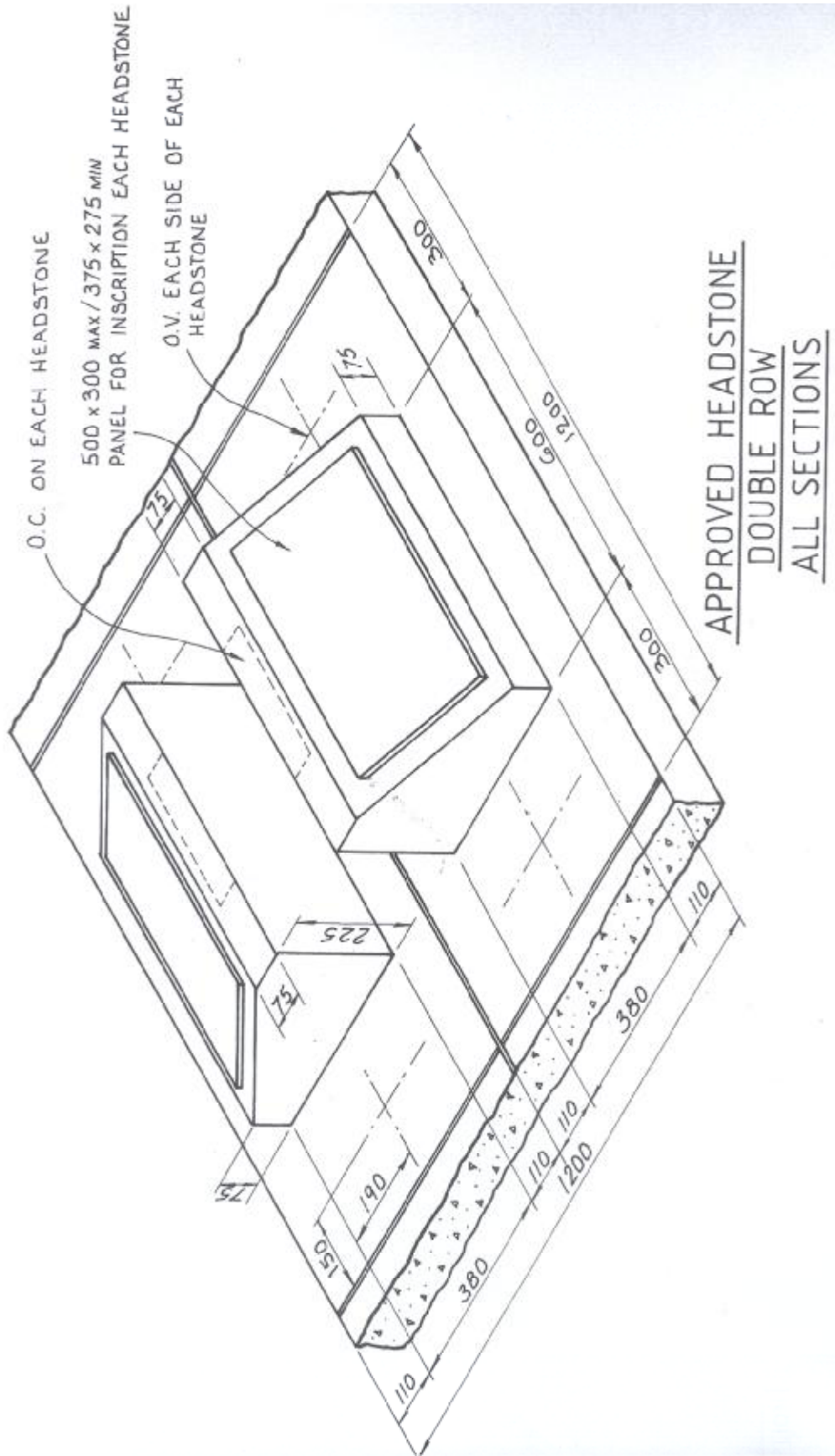


Notes:

1. Only approved persons may erect/repair headstones within the cemetery.
2. Plaques may only be placed upon the Columbarium Walls and Memorial Garden plots by Council staff. Prior arrangement must be made with Council.
3. O.C. indicates location of Optional Cross if required.
4. O.V. indicates location of Optional Vase/Vases if required.
5. Where precast concrete is sloping undertaker shall make headstone level.
6. Optional fittings to be permanently fixed in place at locations as indicated.

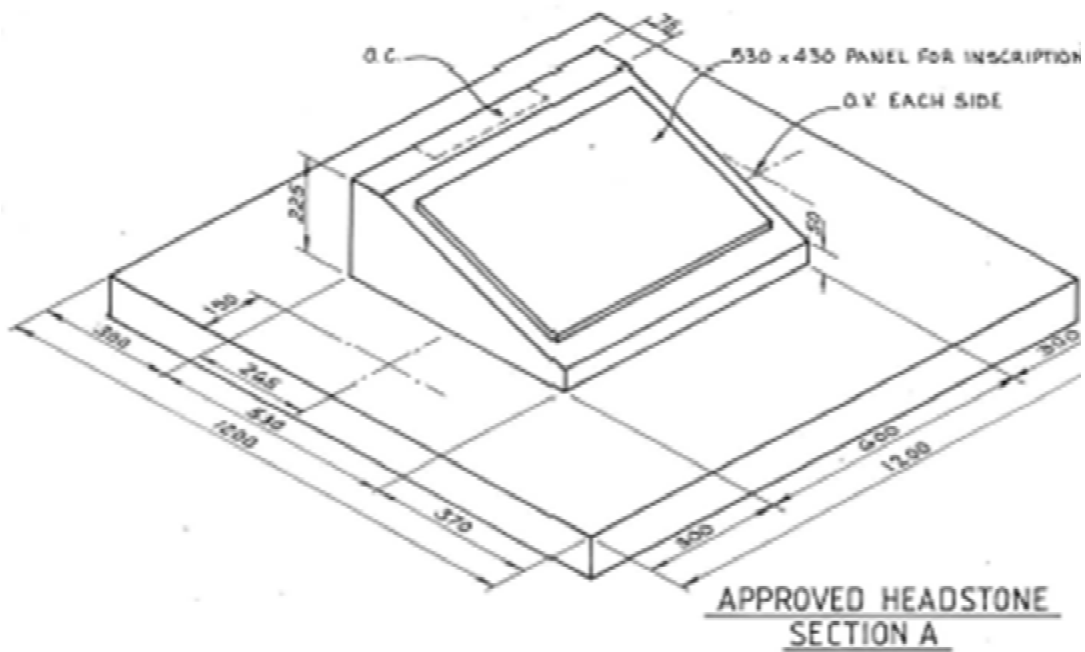
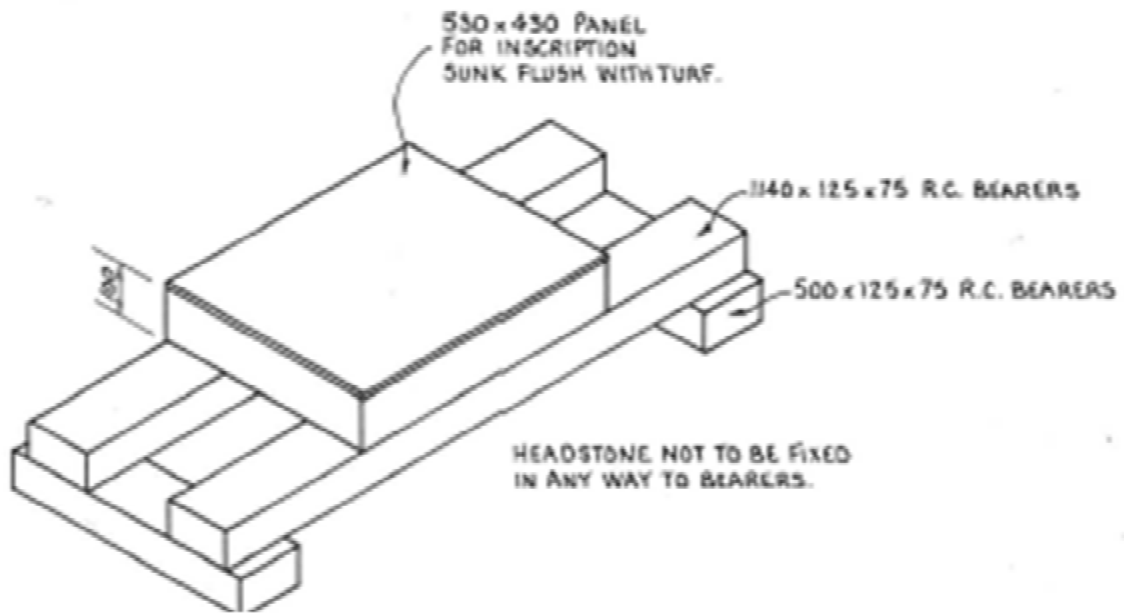
Headstones

Double Rows All Sections Casino Lawn Cemetery



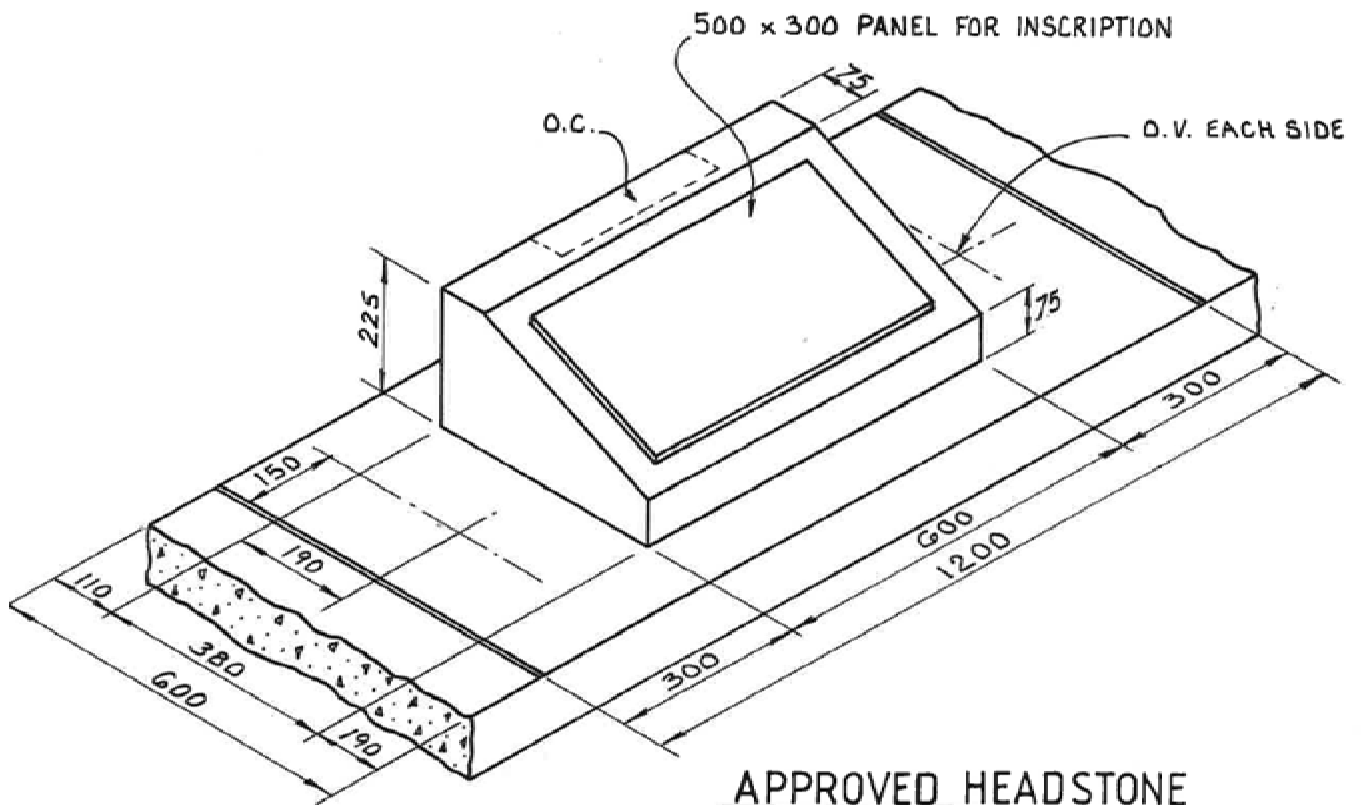
Headstones

Where No Beam In Existence – All Cemeteries - Lawn



Headstones

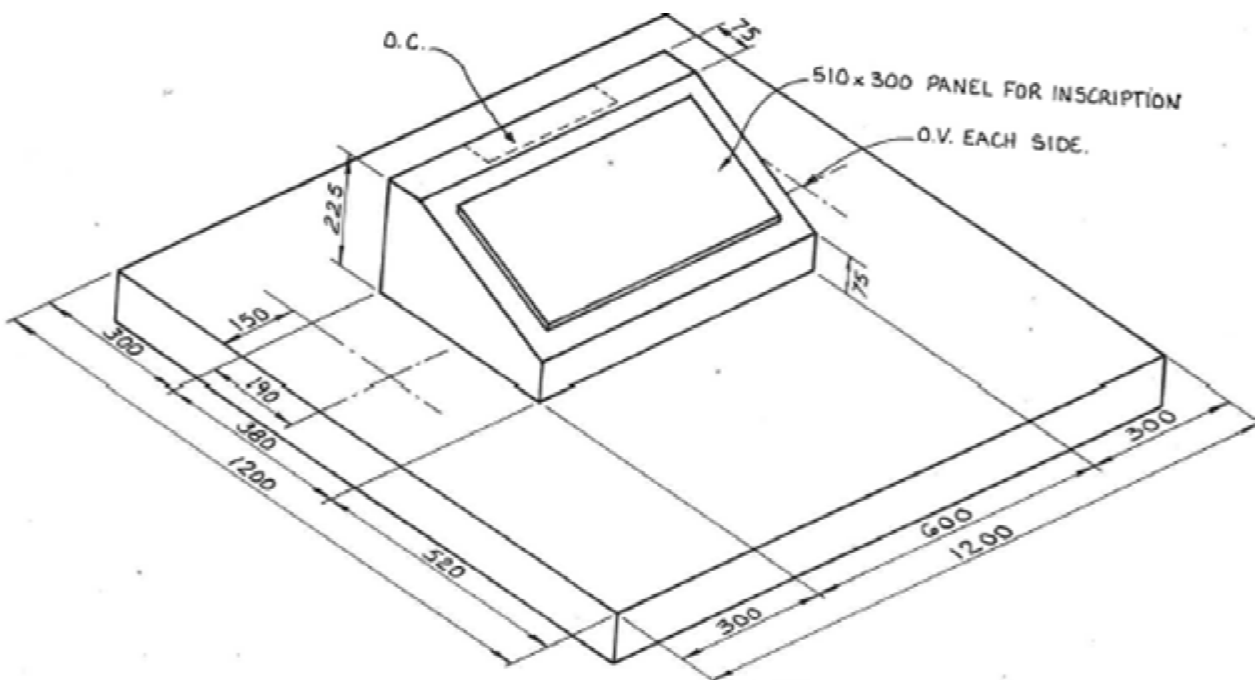
Single Rows – Evans Head and Coraki Lawn and Section B Casino Lawn



APPROVED HEADSTONE
SECTION B

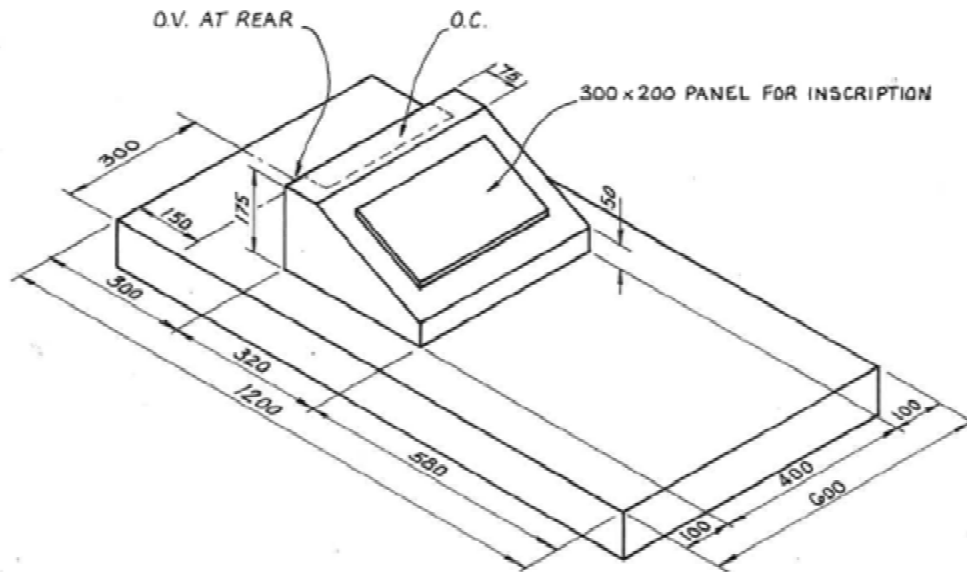
Headstones

Single Rows – Sections A & C Casino Lawn



Headstones

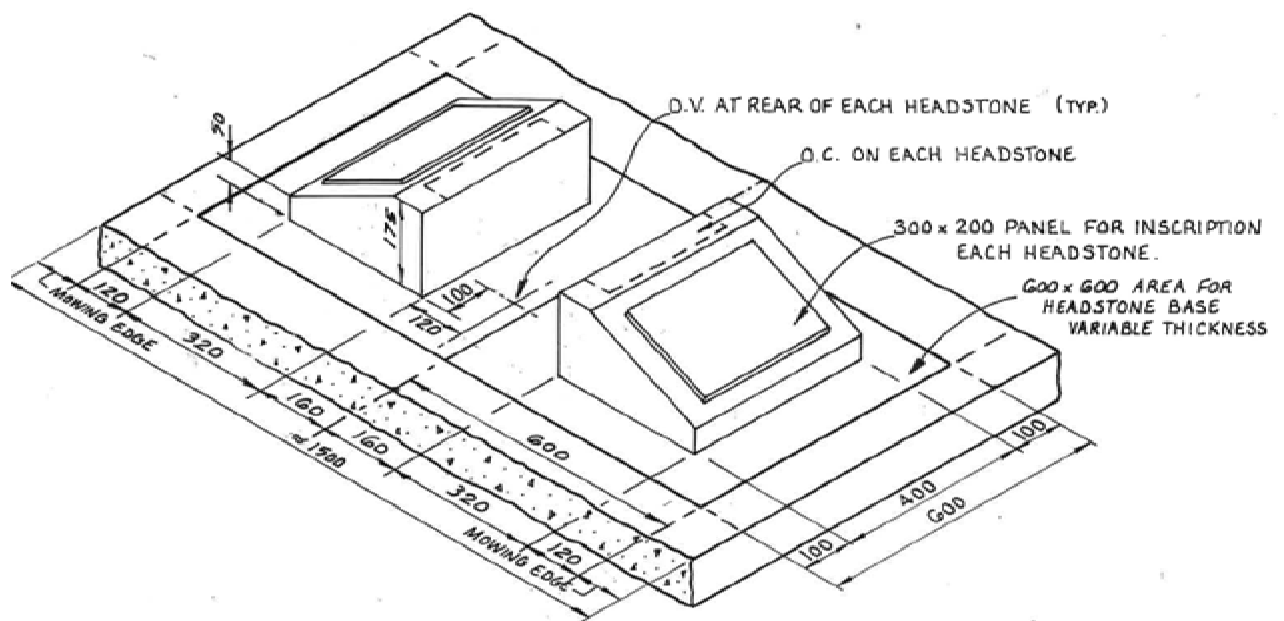
Single Row Infant Section – Casino Lawn



APPROVED INFANT HEADSTONE
ROW 36 SECTION A &
ROWS HH & II SECTION B

Headstones

Double Row Infant Section – Casino Lawn



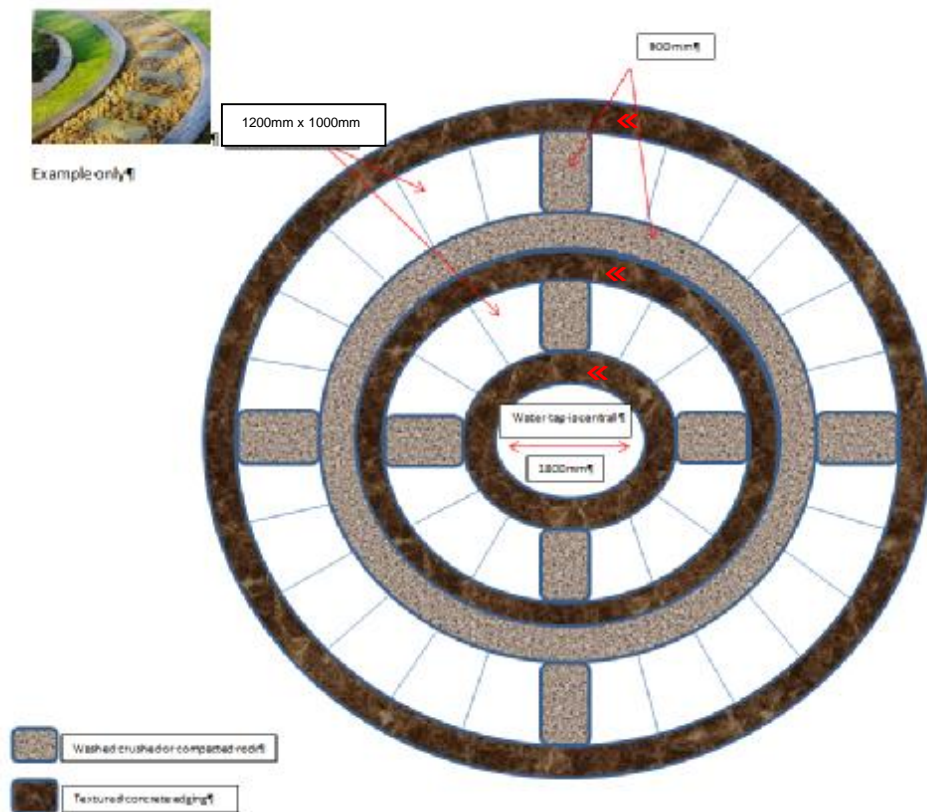
APPROVED INFANT HEADSTONE
DOUBLE INFANT ROW
ALL SECTIONS

Please Note: In the instance a headstone is to be shared between two adjoining plots the following guidelines should be adhered to:

The headstone is to be no higher than 790mm from the top face of the concrete strip
The base which is planned to cross two sections of plots is to be no longer than 2400mm and 600mm wide.

If there is a split in the concrete strip (key joint) between both plots the family will need to arrange for this part of the strip to be reconstructed into one plot/slab. This may include the rear adjoining plots/headstones. Agreement will be required by the adjoining plot owners that back onto the plots for the works to be conducted to construct a complete new slab (concrete strip).

Infant Burial & Ashes 'Circle of Life' Plots – Evans Head



Specifics of the Site

Inner circle Row A (A1 to A12) – Ashes only – 12 sites available

2nd circle Row B (B1 to B20) – Burials – 20 sites available

3rd circle Row C (C1 to C39) – Burials – 39 sites available

Numbering of sites to begin from top east sites (see red star on diagram)

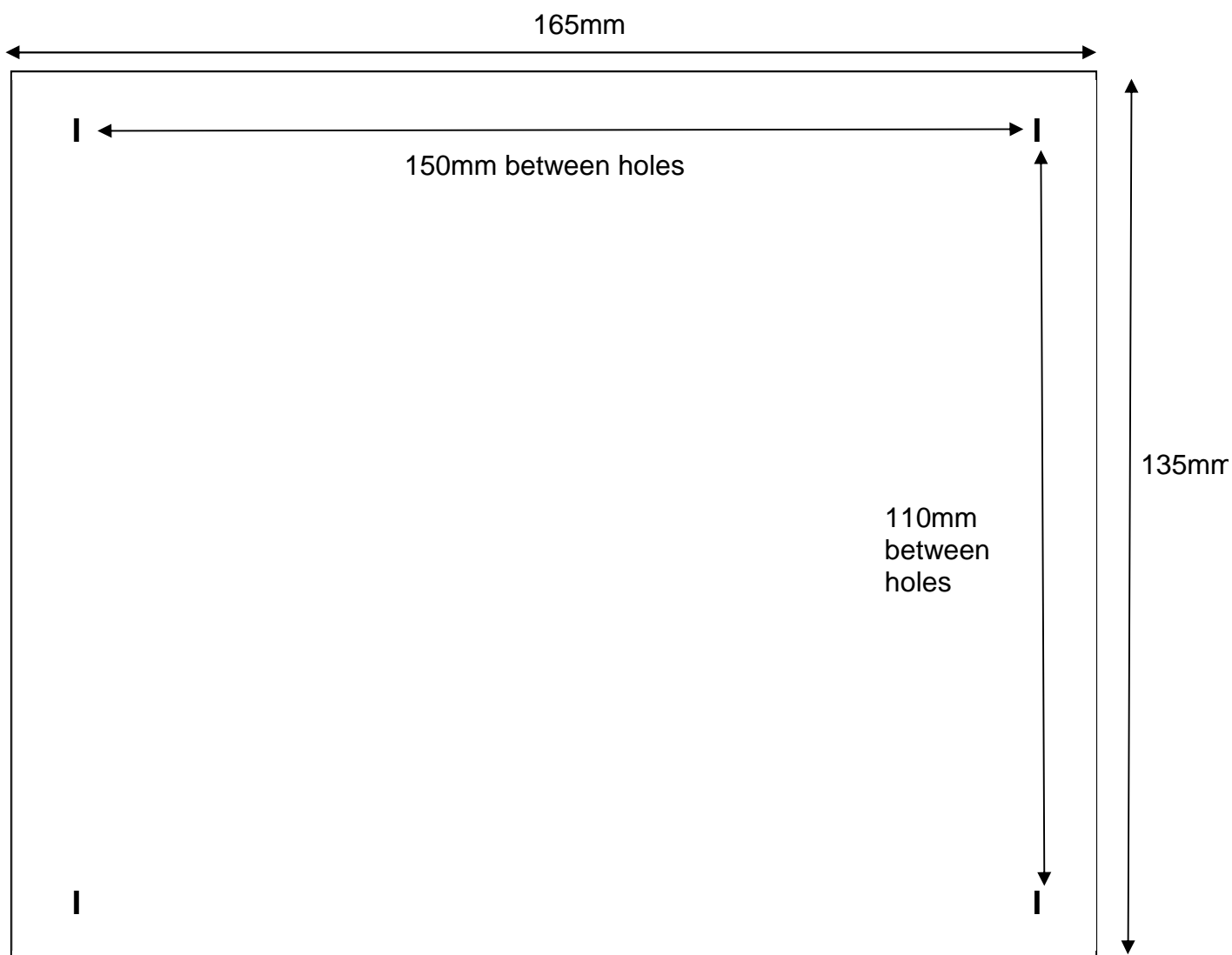
Plaques – Infant Burial & Ashes 'Circle of Life' Plots – Evans Head

Preference for rounded or oblong type plaques with maximum measurements for plaques as follows:

- Inner circle 190mm H x 200mm L
- 2nd circle 190mm H x 300mm L
- 3rd circle 190mm H x 300mm L
- Brass plaques "Phoenix Brown" or similar in colour
- With a raised edge
- Bronze raised lettering 1.5 - 2mm high.

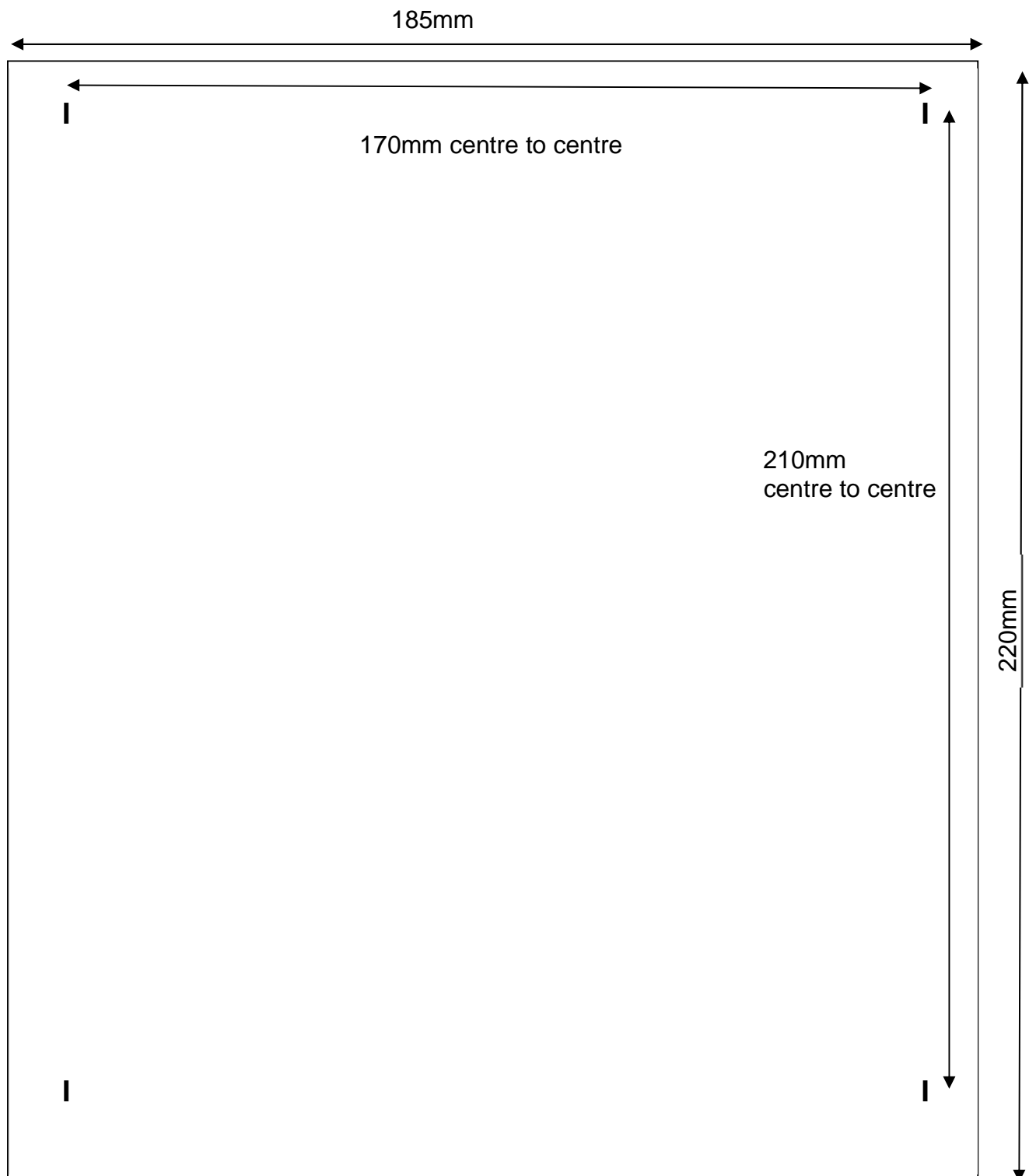
Plaques - Columbarium/Niche Walls
Walls A to I Inclusive (Old Walls) – Casino
Old Walls Coraki and Evans Head

- Plaques Chrome or "Phoenix Brown" or similar in colour
- Measuring 165mm wide X 135mm high
- Chrome Plaques – smooth edge, brass Plaques - raised edge
- 4 Screw holes inside the corners of the raised edge with screws and masonry plugs enclosed
- Chrome – engraved lettering, Bronze - raised lettering 1.5 - 2mm high.

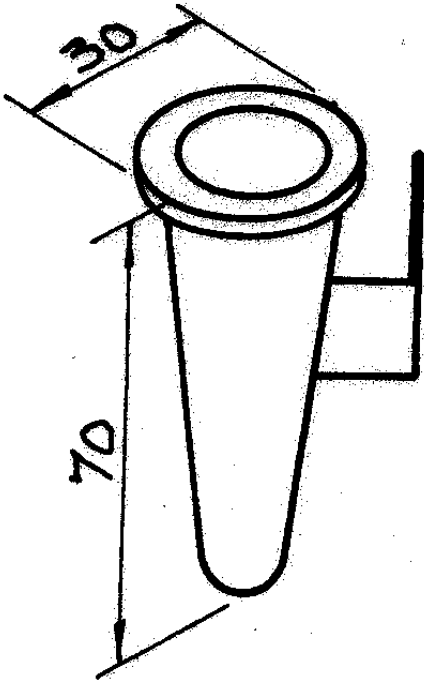


Plaques - Columbarium/Niche Walls
Walls J to M and beyond (New Walls) – Casino
New Walls Coraki and Evans Head

- Brass plaques "Phoenix Brown" or similar in colour
- Measuring 185mm wide X 220mm high
- With a raised edge
- 4 Screw holes inside the corners of the raised edge with screws and masonry plugs enclosed
- Bronze raised lettering 1.5 - 2mm high.



Plaques - Columbarium/Niche Walls
Optional Extras – All Cemeteries



Optional Bud Vase

Memorial Gardens

Plots 1m x 1m

Plaques - Memorial Gardens - Casino

Rose Garden where only one ashes interment

Plaque Size 1 x ashes interred in plot
Height 120mm
Length 250mm
Colour – “Phoenix Brown” or similar in colour
Bevelled edge
Bronze raised lettering 1.5 – 2mm high

Plaques - Memorial Gardens - Casino

Rose Garden where two, three or four ashes interment

Plaque Size – 2 - 4 x ashes interred in plot
Height 120mm
Length 230mm
Colour – “Phoenix Brown” or similar in colour
Bevelled edge
Bronze raised lettering 1.5 – 2mm high

Plaques - Memorial Gardens - Casino

Camelia & Magnolia Gardens where only one ashes interment

Plaque Size 1 x ashes interred in plot
Height 120mm
Length 250mm
Colour – “Phoenix Brown” or similar in colour
Bevelled edge
Bronze raised lettering 1.5 – 2mm high

Plaques - Memorial Gardens - Casino

Camelia & Magnolia Gardens where two ashes interment

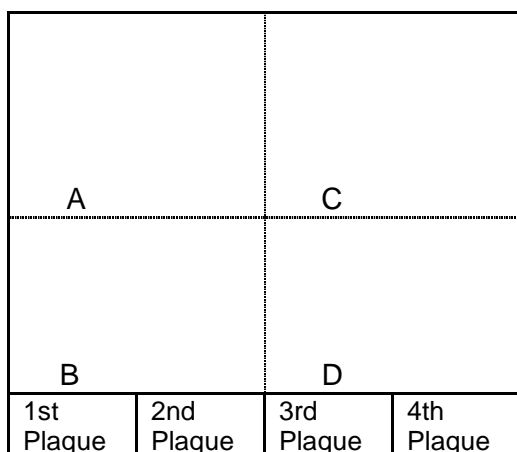
Plaque Size – 2 x ashes interred in plot
Height 120mm
Length 230mm
Colour – “Phoenix Brown” or similar in colour
Bevelled edge
Bronze raised lettering 1.5 – 2mm high

Plaques - Memorial Gardens – Evans Head
where only one ashes interment

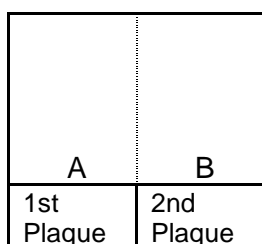
Plaque Size 1 x ashes interred in plot
 Height 120mm
 Length 250mm
 Colour – “Phoenix Brown” or similar in colour
 Bevelled edge
 Bronze raised lettering 1.5 – 2mm high

Plaques - Memorial Gardens – Evans Head
where two, ashes interred

Plaque Size – 2 x ashes interred in plot
 Height 120mm
 Length 230mm
 Colour – “Phoenix Brown” or similar in colour
 Bevelled edge
 Bronze raised lettering 1.5 – 2mm high



Plaque placement for plots where one to four ashes can be placed



Plaque placement for plots where one to two ashes can be placed

Ornamental Rocks - All Memorial Gardens

Ornamental rocks must be no larger than:

300mm x 300mm per ashes interment; or
 500mm x 500mm per 1 metre square plot